

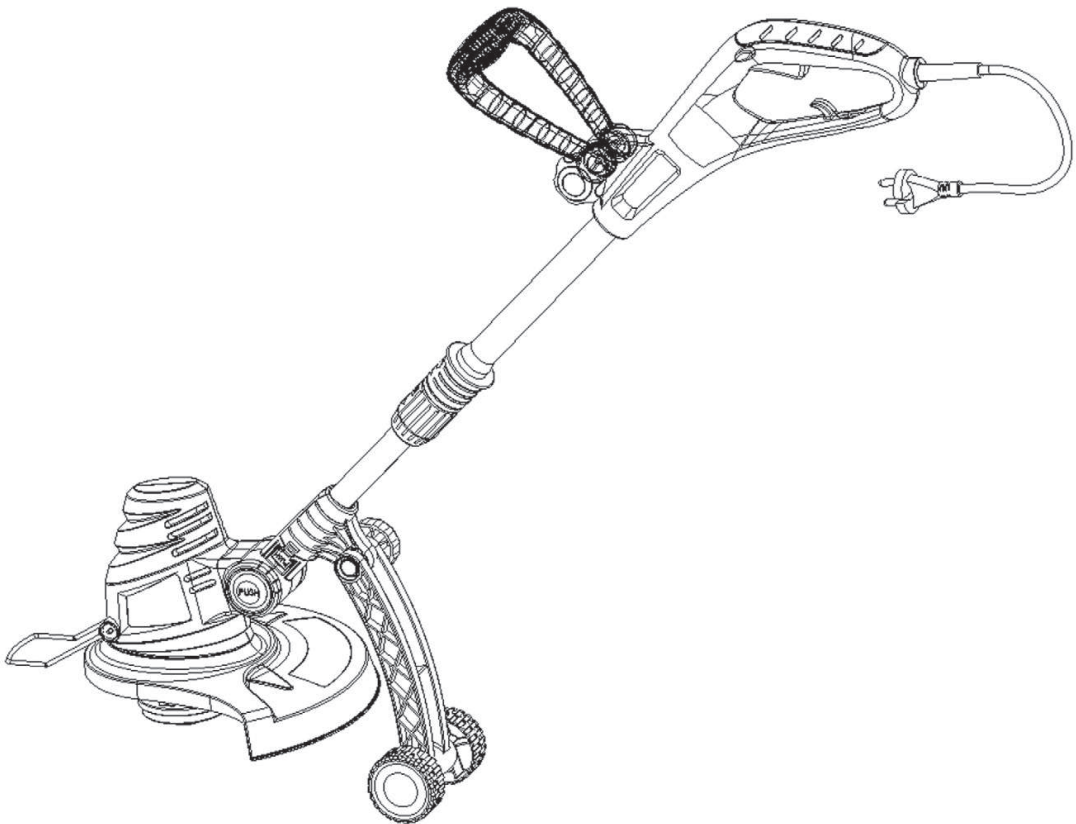


FIELDMANN[®]
Home & Garden Performance

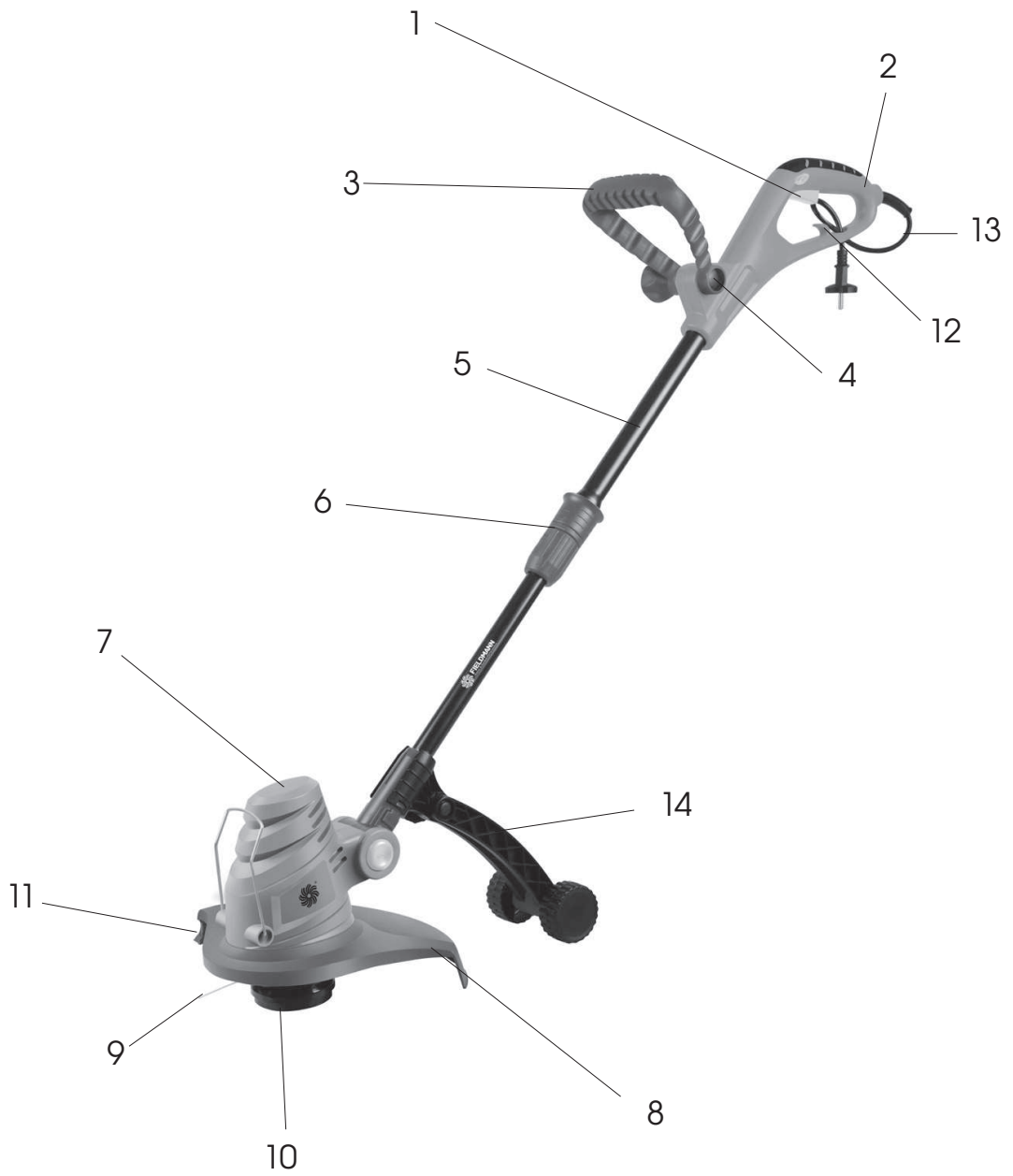


FZS 2002-E

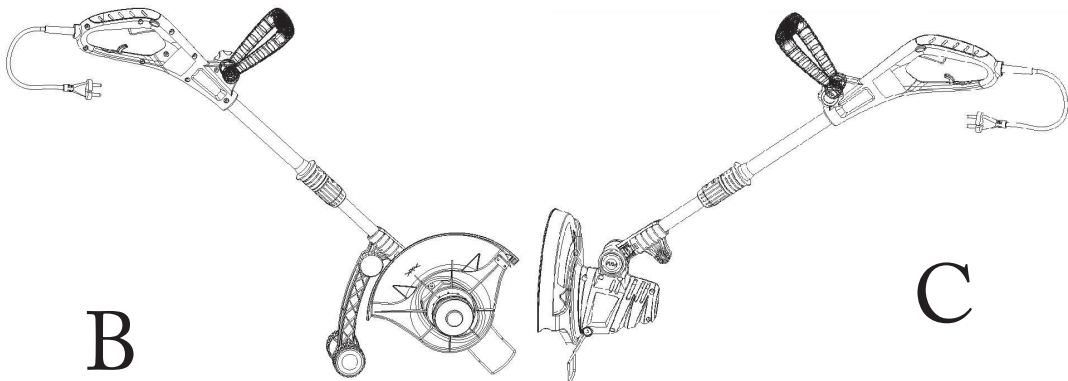
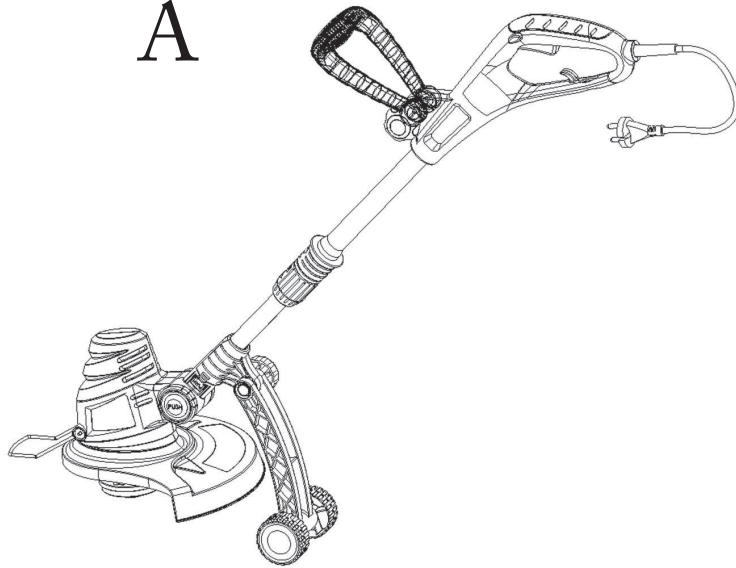
English	9 - 20
Čeština	21 - 32
Slovenčina	33 - 44
Magyarul	45 - 56
Polski	57 - 68
Русский	69 - 81



1

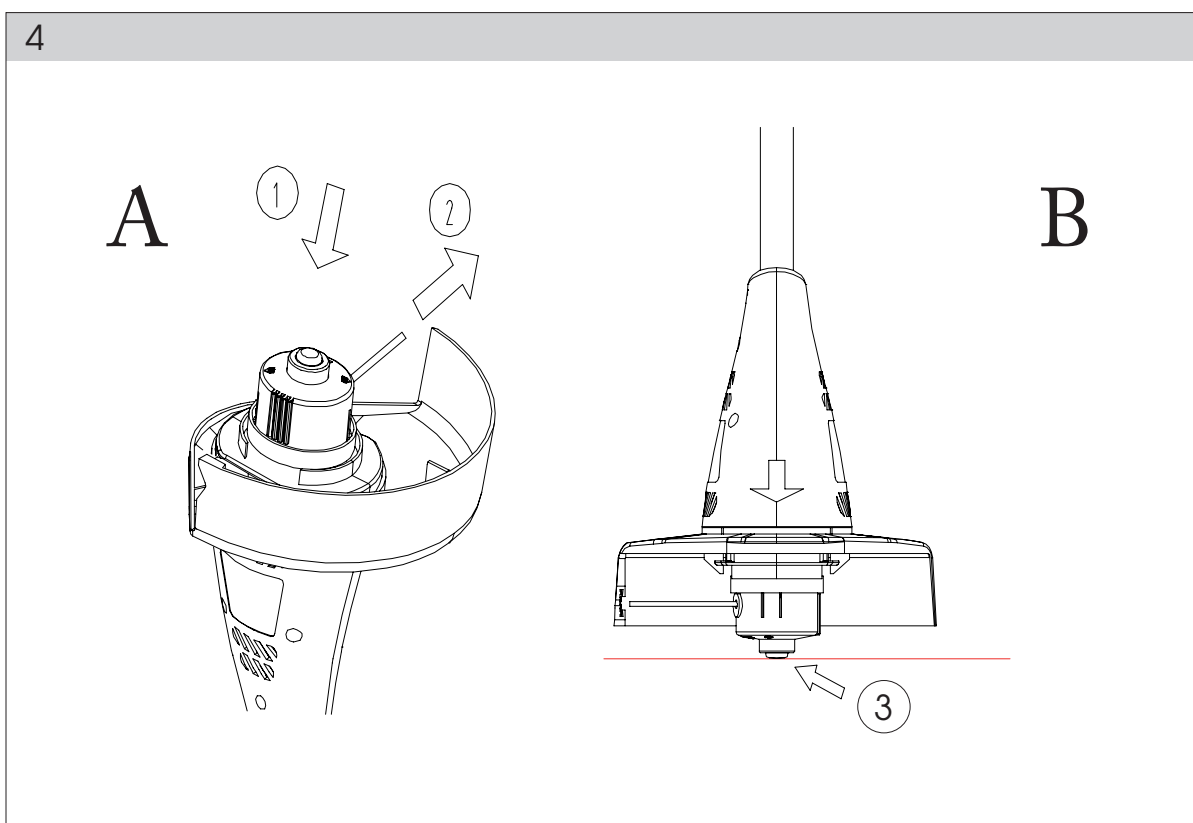
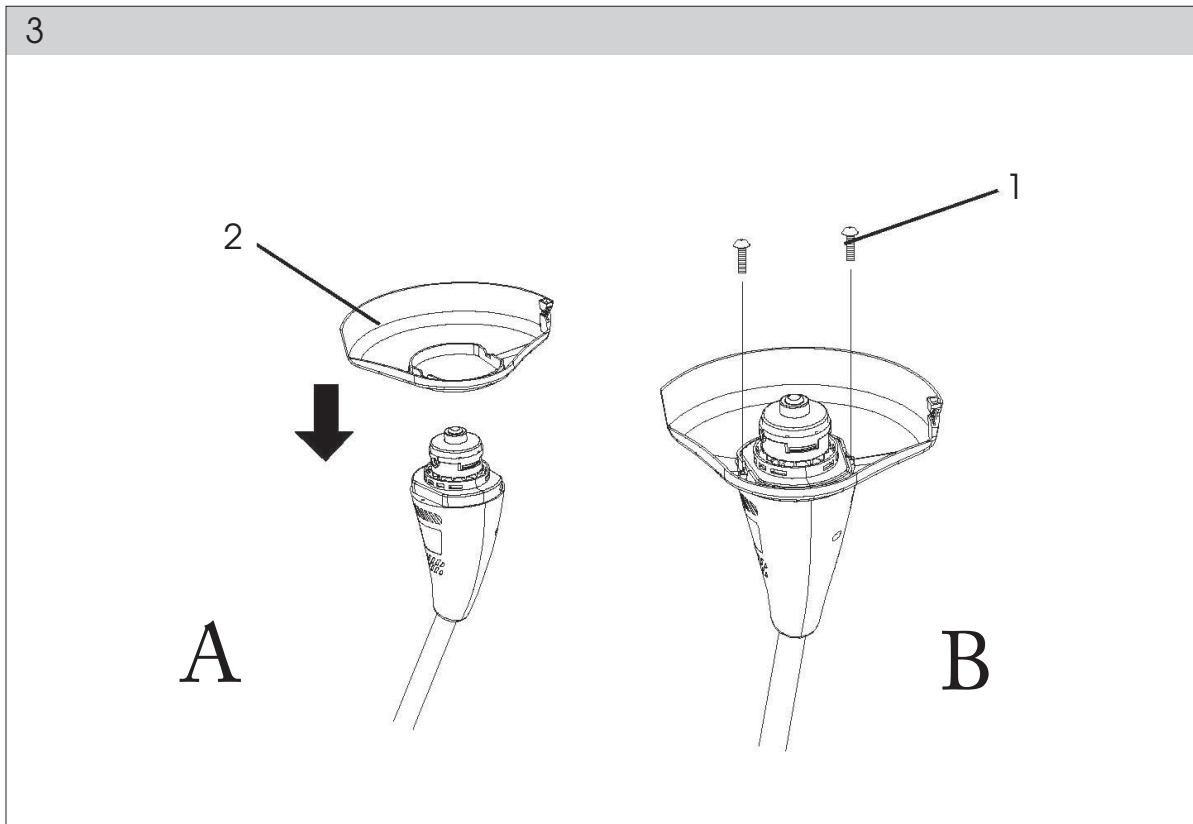


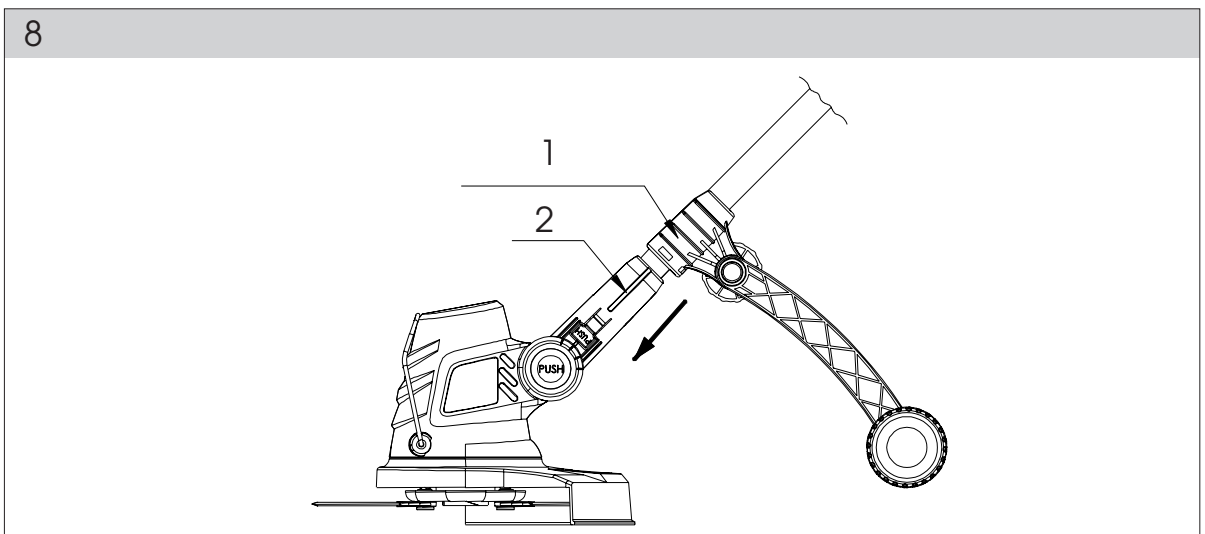
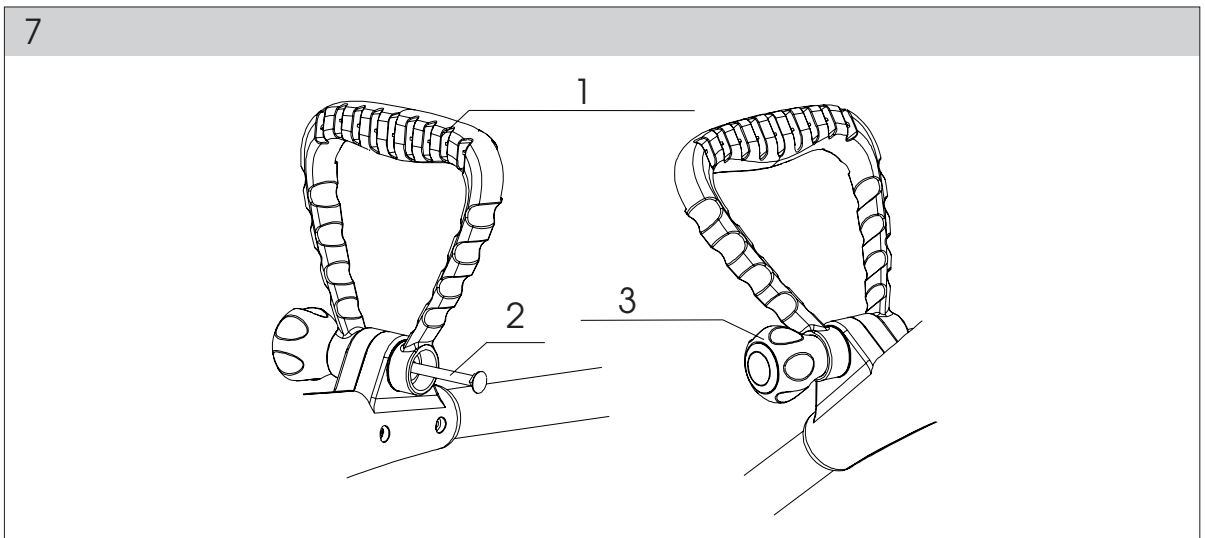
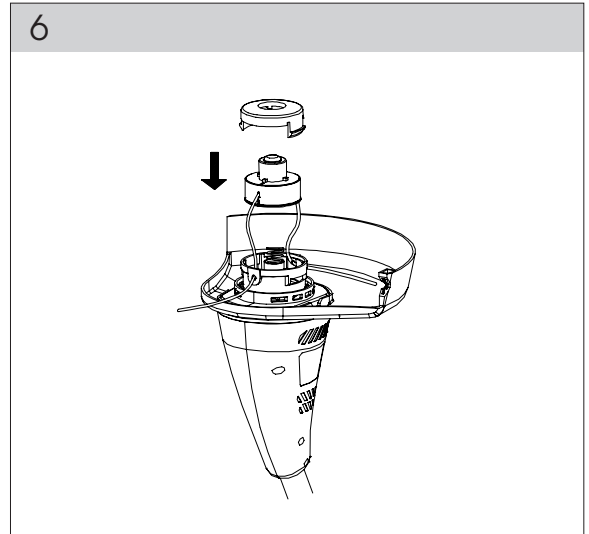
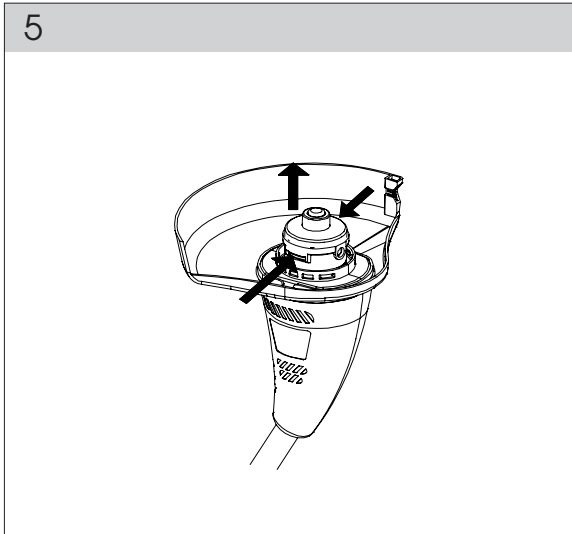
A

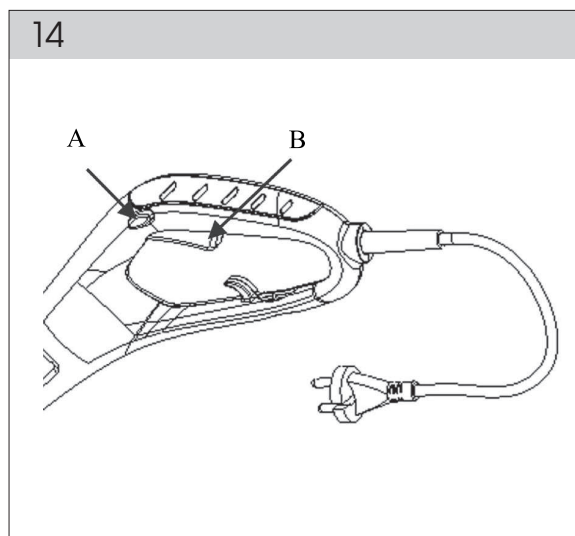
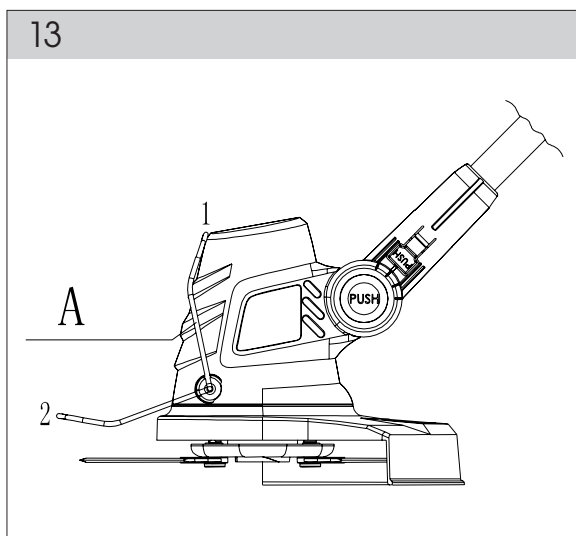
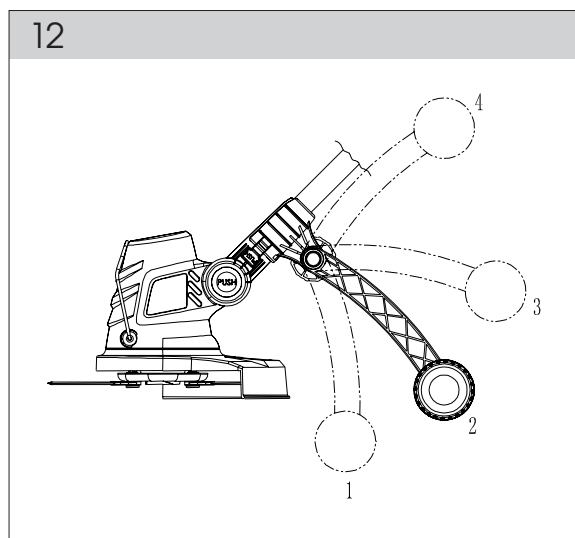
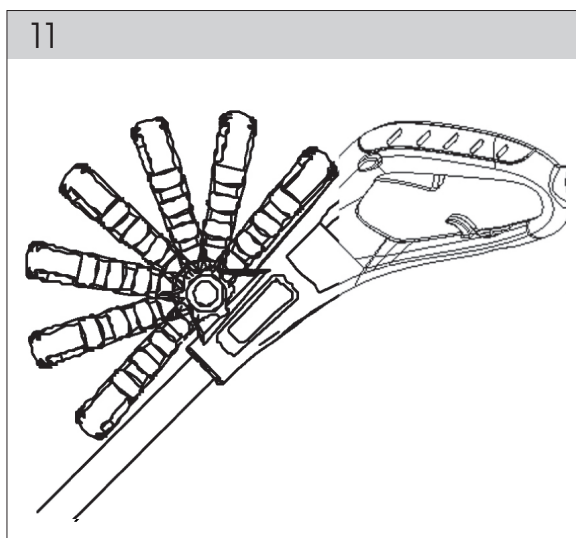
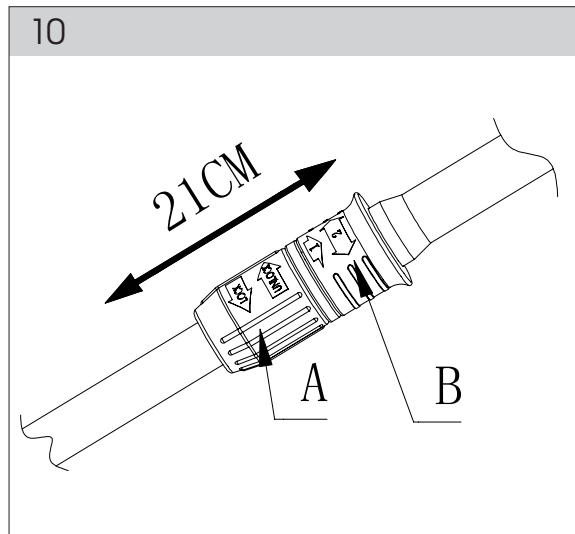
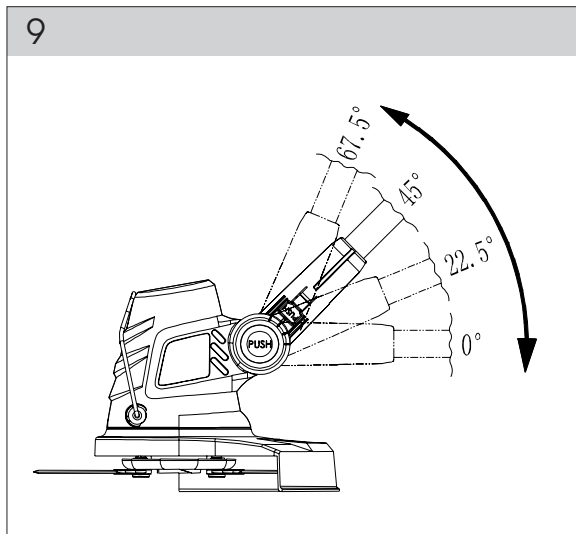


B

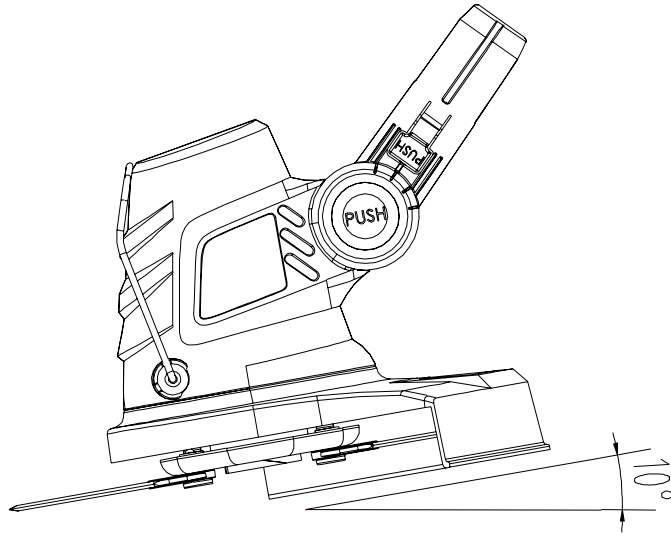
C







15



Electric String Trimmer

INSTRUCTION MANUAL

Thank you for your purchase of the electric string trimmer. For your personal safety, read and understand the Instruction Manual before using. Keep the Instruction Manual in a safe place for future reference.

CONTENTS

PICTORIAL APPENDIX	3
1. GENERAL SAFETY INSTRUCTIONS	10
Important Safety Instructions	
Package	
Instruction Manual	
2. SYMBOLS AND WARNINGS ON MACHINE	11
3. MACHINE DESCRIPTION AND ITEMS DELIVERED	12
4. SAFETY INSTRUCTIONS	12
5. APPLICATION	13
6. ASSEMBLY INSTRUCTIONS	14
7. OPERATION	15
8. STRING TRIMMER STARTUP	16
9. MAINTENANCE	17
10. TECHNICAL SPECIFICATIONS	17
11. DECLARATION OF CONFORMITY	18
12. DISPOSAL	19

1. GENERAL SAFETY INSTRUCTIONS

Important safety warnings


- ✿ Unpack the product carefully and be sure not to throw away any part of the package before having found all components of the product.
- ✿ Keep the product in a dry place out of reach of children.
- ✿ Read all cautions and instructions. The failure to adhere to warning cautions and instructions may result in an accident, fire and/or a serious injury.

Packaging

The product is placed in a package preventing damage during transport. This package is a raw material therefore it can be handed-over for recycling.

Instructions for use

Before beginning to work with the machine, read the following safety rules and instructions for use. Familiarize with operating elements and the proper use of the device. Keep the manual in a safe place for future reference. We recommend keeping the original package including the inner packaging materials, cash voucher and guarantee card for a period of warranty at minimum. For a case of transportation, pack the machine into the original box from the manufacturer, thus ensuring a maximum protection of the product during a possible transport (e.g. moving or sending into a service station).

 **Note:** If you hand the machine over to next persons, hand it over together with the manual. Adherence to the attached instructions for use is a precondition for the proper use of the machine. The operation manual includes also instructions for operation, maintenance and repairs.

The manufacturer does not take any responsibility for accidents or damages resulting from the failure to adhere to this manual.

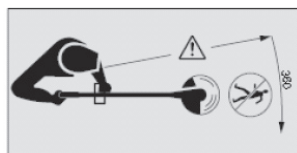
2. SYMBOLS AND WARNINGS ON MACHINE



Warning!



Read the Instruction Manual attentively before operating the tool.



Keep other persons in a safe distance off the tool!



Do not operate the tool if raining or in wet conditions.



Always wear eye protection.

3. MACHINE DESCRIPTION AND ITEMS DELIVERED

Machine Description (See fig. 1)

- | | |
|--|------------------------|
| 1 - Trigger | 8 - Safeguard |
| 2 - Handle | 9 - String |
| 3 - Adjustable second handle | 10 - String spool |
| 4 - Second handle locking bolt | 11 - Line-cutting edge |
| 5 - Telescopic boom to adjust the working height | 12 - Cable retainer |
| 6 - Telescopic boom locking bolt | 13 - Mains plug |
| 7 - Trimmer head | 14 - Edge guide wheels |

Items Delivered

Remove all contents from the box and inspect to ensure no damage was incurred during shipping, and that the items listed below are included.

- ✿ Electric garden string trimmer
- ✿ Safeguard
- ✿ Handle with a locking bolt
- ✿ Warranty card
- ✿ Instruction Manual

Should the components be missing or damaged, contact the dealer of the machine.

4. SAFETY INSTRUCTIONS

⚠ WARNING! Keep all safety instructions when operating the electric tool. For your as well as other persons' safety, read and understand the Instruction Manual attentively prior to use of the tool. Keep the Instruction Manual in a safe place for future reference.

- ✿ When operating the tool, wear the safety glasses.
- ✿ When operating the tool, wear the safety gloves.
- ✿ Do not expose the tool to rain or moisture.
- ✿ Read the Instructions Manual attentively and get familiarized with all control features and their functions.
- ✿ Do not allow children or untrained individuals to use the tool.
- ✿ Keep all bystanders, children and pets away from the trimmer; the grass which is cut and dispersed may contain stones and debris. Should other persons be in your close vicinity, particularly the children, stop mowing.

- ✿ When operating the tool, keep other persons, children or animals at the minimum distance of 4,5 m from the string trimmer.
 - ✿ Operate the tool only by daylight or by appropriate artificial lighting.
 - ✿ Prior to use of the tool or after any impact, always check the string trimmer for damage or wear. Repair the string trimmer, if necessary. Do not operate the string trimmer if the cutting string is not properly fixed or is damaged.
 - ✿ Always check whether the tool is in a good condition. If not, it can endanger the user.
 - ✿ When operating the trimmer, always use all the safeguards.
 - ✿ Do not operate the trimmer in case the safeguards are damaged.
 - ✿ Clear the work area before each use. Remove all objects such as stones, metal pieces, roots, other hard objects and plastic bags, nylon ropes and other objects that cannot be cut.
 - ✿ Prior to startup of the trimmer, make sure the nylon string does not touch stones or debris.
 - ✿ Do not place your arms and legs to the cutting area; especially not when starting up the motor.
 - ✿ Protect yourselves from injuries caused by the trimmer string. After you fixed a new cutting string, return the string trimmer to the standard operation position.
 - ✿ Do not use damaged or cracked cutting elements.
 - ✿ Do not use spare parts or accessories not delivered or not recommended by the string trimmer manufacturer.
 - ✿ Always clean the debris from the ventilation slots.
 - ✿ Do not carry the trimmer with your finger on the trigger; you will avoid the accidental startup of the machine.
 - ✿ Keep the balanced and safety position when mowing.
 - ✿ Clean the work area from wires, stones and debris.
 - ✿ Do not cut hard objects. Imminent danger of an injury or damage of the trimmer.
- ⚠ WARNING!** Cutting elements keep rotating for a certain time after the motor was switched off!
- ✿ Do not attempt to stop the cutting element (nylon string) by your hands. Let it stop by itself.
 - ✿ Do not use the string trimmer to cut grass which is not in contact with the ground i. e. grass on low walls, rockeries, etc.
 - ✿ Do not cross the roads or gravel paths with the string trimmer still running.

5. APPLICATION

- ✿ The electric string trimmer is intended for grass mowing.
- ✿ Use for other purposes is strictly forbidden.
- ✿ The string trimmer is intended for domestic use only.

6. ASSEMBLY INSTRUCTIONS

For Your Safety

⚠ WARNING! Prior to any adjustments, disconnect the plug from the power supply source.

Select the appropriate operation position (Fig. 2)

You can select one out of three operation positions (A, B, C):

- ✿ The operation position A is intended for grass mowing. The wheel assembly can be used at your discretion.
- ✿ The operation position B is intended for edge mowing. Use the wheel assembly.
- ✿ The operation position C is also intended for edge mowing. Do not use the wheel assembly.

Safeguard Attachment (Fig. 3)

- ✿ Remove two screws (1) from the string trimmer casing (Fig. 3/B).
- ✿ Place the motor cover so that the string head carrier faces upwards (Fig. 3/A).
- ✿ Slide the safeguard (2) over the motor cover (Fig. 3/A).
- ✿ Insert two screws back to the trimmer head through the safeguard openings and tighten them, see the figure 3/B.


Check the nylon strings (Fig. 4)

- ✿ Prior to the first startup of the electric string trimmer, check whether the nylon strings touch the cut-off blade or whether it is by-passed. If the strings are not long enough (1), press the button (2) and pull out the nylon string to have the sufficient length. (See the figure 4/A)
- ✿ The extended nylon string will be automatically cut by the cut-off blade to the appropriate length as soon as you turn the string trimmer on.
- ✿ The nylon string gets shorter or worn during the string trimmer operation. To extend the nylon string automatically or to move the string, tap the spool button (3) slightly to the ground (the string trimmer is ON), see the figure 4/B.

You should repeat the above mentioned steps several times prior to start working with the string trimmer in order to be sure the trimmer works properly and to get familiarized with the trimmer control elements. Start off slowly, when you have gained experience, you will be able to use the string trimmer to its full potential.

Replacement of the Nylon String Spool

- ✿ Turn the machine upside down.
- ✿ Press the locking latches on the string head cover, as depicted in figure 5, pull the cover and remove it.

- ✿ Remove the worn spool from the trimmer and dispose the remaining string on the spool.
 - ✿ Pass the string end through the spool neck, see figure 6. Make sure the spring is securely placed under the spool. Place the spool to the cutting head and pull the string through the opening in order to create sufficient tension, see figure 6.
-  **Note:** Be careful, the head contains the spring which can get easily lost. Make sure the spring is securely placed in its position.
- ✿ Press the spool slightly downwards to the spring while turning it, until it gets engaged. Check that the string is not snagged under the spool.
 - ✿ Click the cover shut back in the position, place the string trimmer in the operation position and turn it on. Within a few seconds, you will hear that the nylon string is cut to the appropriate length. If not, tap slightly with the trimmer head to the ground in order to release the appropriate length of the string.

Adjustable Handle Attachment (Fig. 7)


- ✿ Turn the handle knob (3) and pull out the screw (2) of the adjustable handle (1).
- ✿ Insert the adjustable handle (1) to the trimmer handle.
- ✿ Insert the screw (2) and the handle knob (3) back and tighten the knob slightly.
- ✿ Prior to final tightening of the knob (3), turn the adjustable handle (1) to the desired angle. When the adjustable handle (1) is in the required position, tighten the handle knob finally (3).

Edge Guide Wheel Assembly (Fig. 8)

WARNING!

- ✿ The edge guide wheel assembly (1) may or need not be used to cut grass (operation position A).
- ✿ The edge guide wheel assembly (1) must be used to cut edges (operation position B).
- ✿ The edge guide wheel assembly (1) must not be used to cut grass (operation position C).
- ✿ While fixing the edge guide wheel assembly (1) to the guide (2) of the handle, you will hear a click when the lock gets engaged on one side.
- ✿ remove the edge guide wheel assembly from the trimmer, press the „PUSH“ button and pull out the assembly from the guide (2) of the trimmer handle.

7. OPERATION

-  **WARNING! RISK OF INJURY!** There is an imminent risk of injury in case the string trimmer does not turn off after you have released the trigger. Never override the safety devices (e.g. by strapping down one of the start buttons).

Adjustment of Trimming Head Angle (Fig. 9)

- ✿ The trimmer head can be set to 4 different operation positions.
- ✿ Press the „PUSH“ button by one hand and turn the trimmer head to the desired position by other hand. The „PUSH“ button will lock the head automatically.

Adjustment of Handle Length and Angle (Fig. 10)

- ✿ Turn the locking sleeve (A) in the „UNLOCK“ direction and extend the upper part of the handle to the desired length. Then, turn the locking sleeve (A) in the „LOCK“ direction and tighten firmly.
- ✿ Pull the locking screw (B) upwards in the direction „1“. Turn the upper part of the handle in the direction „2“ to the operation position 0°, 90°, 180°. • The operation position 0° is intended for grass mowing only. • The operation positions 90° and 180° are intended for edge mowing only.

Adjustment of Adjustable Handle Angle (Fig. 11)

- ✿ Press the lock button and turn the adjustable handle to the desired position.
- ✿ There are 7 operation positions available.
- ✿ Then, tighten the lock button firmly.

Adjustment of Edge Guide Wheel Assembly Angle (Fig. 12)

- ✿ Release the lock knob and turn the edge guide wheel assembly to the desired angle.
- ✿ The positions „1“, „2“, „3“ are the available operation positions.
- ✿ In case you do not use the edge guide wheel assembly, you can either remove it from the trimmer or set it to the position „4“.

Safeguard Adjustment (Fig. 13)

- ✿ Position „1“ is the parking position; position „2“ is the operation position.
- ✿ Turn the safeguard (A) to the desired position, until the lock gets engaged.

8. STRING TRIMMER STARTUP (Fig. 14)

Switching the Trimmer ON

- ✿ Push and hold the safety button (A), and then press the trigger (B) on the handle.
- ✿ Release the safety button (A).

Switching the Trimmer OFF

- ✿ Release the trigger (B) on the handle.

⚠ WARNING! RISK OF INJURY! Cutting elements keep rotating for a certain time after the motor was switched off. • Do not attempt to stop the cutting element (nylon string) by your hands. Let it stop by itself.

📖 Note: Recommendation: When cutting grass in the operation position A, set the angle between the cutting blades and ground to ca. 10°, you will reach the optimum performance of the trimmer. When operating, you can hold the string trimmer and move it from left to right and consequently from right to left. You will reach the optimum performance of the electric string trimmer. (Fig. 15).

9. MAINTENANCE

- ✿ The trimmer string can dry out in the process of time. To keep the nylon string in a perfect condition, store the spare pre-wound spools or loose string in a plastic bag with a spoon of water.
- ✿ clean the string trimmer, remove the battery and use a mild soap and a damp cloth only. Do not immerse the trimmer in water, nor hose it down. Avoid any liquid to get inside the string trimmer. Do not use pressurized water when cleaning the machine.
- ✿ The line-cutting blade on the safeguard side can get blunt. Regular sharpening of the blade with a file is recommended.

10. TECHNICAL SPECIFICATIONS

Voltage / frequency	230-240V~ /50Hz
Input power	500W
No-load speed	11000 rpm
Cutting width	300mm

Instructions Manual - language version only.

11. DECLARATION OF CONFORMITY

Product/Name: ELECTRIC STRING TRIMMER / FIELDMANN

Type/Model: FZS 2002-E 230V,500W

The product complies with the following directives:

- ✿ The Directive of the European Parliament and the Council No. 2006/95/EC dated 12 December 2006 on the harmonisation of the laws of Member States relating to electrical equipment designed for use within certain voltage limits.
- ✿ The Directive of the European Parliament and the Council No. 2004/108/EC dated 15 December 2004 on the harmonisation of the laws of the Member States relating to electromagnetic compatibility and repealing Directive No. 89/336/EEC.
- ✿ The Directive of the European Parliament and the Council No. 2006/42/EC dated 17 May 2006 on machinery, and amending Directive No. 95/16/EC.
- ✿ The Directive of the European Parliament and the Council No. 2002/95/EC dated 27 January 2003 on the restriction of the use of certain hazardous substances in electrical and electronic equipment.

a normami:

- ✿ EN 60335-1:2002+A11:2004+A1:2004+A12:2006+A2:06+A13:08
- ✿ EN 60335-2-91:2003
- ✿ EN 786:1996+A2:2009
- ✿ EN 50366:2003+A1:2006
- ✿ EN 60335-1:2002FPRAF:09PREN 60335-2-91:2007+FPRAA:09
- ✿ EN 55014-1:2000/A1:2001/A2:2002
- ✿ EN 55014-2:1997+A1:2001
- ✿ EN 61000-3-2:2000/A2:2005
- ✿ EN 61000-3-3:1995/A1:2001/A2:2005

CE Certification: 11

FAST ČR, a.s. is authorised to act on behalf of the manufacturer.

Manufacturer:

FAST ČR, a.s.

Černokostelecká 2111, 100 00 Praha 10, Česká republika

Tax ID:: CZ26726548

In Prague, 07/04/2011

Name: Zdeněk Pech

Chairman of Board

FAST FAST ČR, a.s.
 Černokostelecká 1621, 251 01 Říčany
 IČO: 26726548 tel.: +420/ 323 204 111
 DIČ: CZ26726548 fax: +420/ 323 204 110

Pech

Signature and stamps:

12. DISPOSAL

The machine and its accessories are made of various materials, e.g. of metal and plastics. Hand-over damaged components to sorted waste. Get yourselves informed at a respective authority.

INSTRUCTIONS AND INFORMATION ON DISPOSAL OF USED PACKAGING.

Put any used package material to the place determined by the municipality for waste disposal.

DISPOSAL OF USED ELECTRIC AND ELECTRONIC EQUIPMENT



This symbol on products or accompanying documents means that used electric or electronic products must not be put to ordinary municipal waste. Hand over such products to determined collection points for proper disposal, restoration and recycling. Alternatively, in some countries of the European Union or other European countries you can return your products to your local dealer when you buy an equivalent new product. By dutiful disposal of this product you can preserve precious natural resources and you help prevent any potential adverse effects on the environment and human health which could be the results of wrong waste disposal. Ask your local authority or the nearest collection point for additional details. In case of improper disposal of this waste kind penalties can be imposed in accordance with national regulations.

For companies in the European Union countries

Should you want to dispose of electric and electronic devices, ask your dealer or vendor for necessary information. Disposal in other countries outside the European Union. Should you want to dispose of this product, ask your local authorities or your dealer for necessary information about disposal method.



This product fulfils all basic requirements of the EU directives that apply to it.

Text, design and technical specifications can change without prior notice and we reserve the right for their change.

